

S3970BE

COMPACT BI-ENERGY SCISSOR LIFTS



- Compact bi-energy scissor lifts
- Suitable for interior and exterior use
- Non-marking, high grip tyres
- Easy to operate
- Ideal for construction sites

 **snorkel**
www.snorkellifts.com

COMPACT BI-ENERGY SCISSOR LIFTS

3970BE

DIMENSIONS S3970BE

Max. working height	13.9m
Max. platform height (A)	11.9m
Platform size (stowed) (B)	2.71m x 1.65m
Platform size (extended) (C)	3.9m x 1.65m
Deck extension	1.2m
Overall width (D)	1.8m
Stowed length (E)	3.4m
Stowed height (F)	2.95m
Min. height (guardrails folded)	2.13m
Ground clearance	330mm

PERFORMANCE

Platform capacity (SWL)	350kg
Max. drive height	11.9m
Max. wind speed	12.5m/s
Max. drive speed (stowed)	
Max. drive speed (elevated)	0.3km/h (engine)
Raise/lower time (engine) 65/47 sec (battery)	
Gradeability (engine)	30%
Gradeability (battery)	25%
Max. outrigger levelling, front to rear	7°
Max. outrigger levelling, side to side	11°
Inside turning radius	2.44m
Outside turning radius	4.75m
Tyres	27 x 10.5 foam filled, non-marking
Controls	proportional joystick
Drive system	4 wheel drive

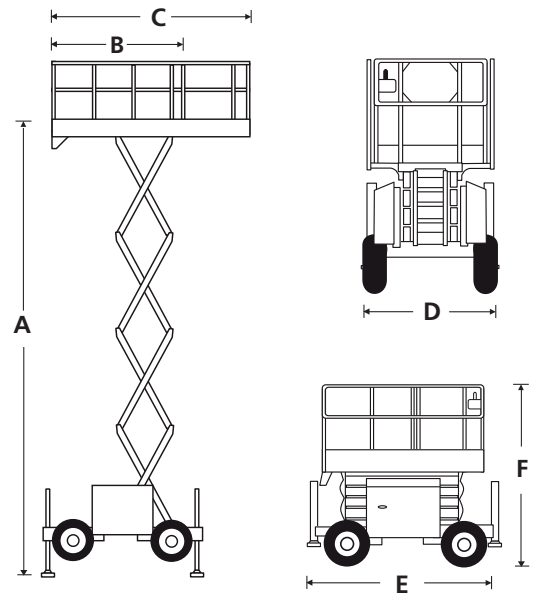
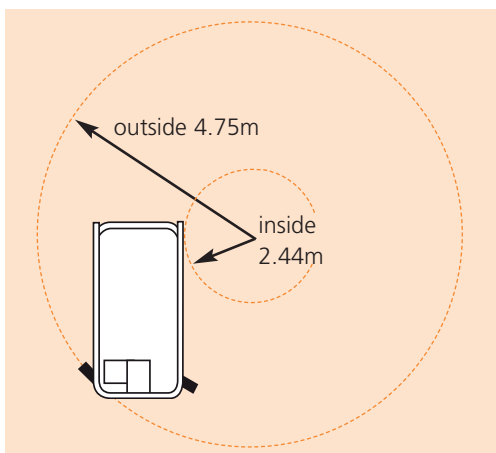
POWER

Power source Kubota D-902 water cooled diesel 23.5hp and 4 x 6v 305Ah batteries

WEIGHT

Weight 4,070kg

TURNING RADIUS



STANDARD FEATURES

- DC and diesel power - for indoor & outdoor work
- 4 wheel drive
- 4 hydraulic outriggers with automatic levelling
- Roll-out deck extension
- Non-marking high grip tyres
- Proportional controls
- Flashing amber light
- Oscillating axle
- Horn
- Power line to platform
- Drive motion alarm
- Descent alarm
- Fold-down guardrails
- Hour meter & on-board diagnostics display
- Dual lanyard attachment points
- Manual lowering valve
- 2 year parts & labour, 5 year structural warranty
- CE approved

OPTIONS

- Special paint colours
- Hydraulic generator 110V/240V
- Nylon spreader pads

snorkel www.snorkellifts.com

Vigo Centre, Birtley Road,
Washington, Tyne & Wear,
NE38 9DA, U.K.

t: +44 (0) 845 1550 057

e: sales@snorkellifts.com