

SJ8841 RT ROUGH TERRAIN SCISSORS



STANDARD FEATURES

- Axle based 4WD system
- “Detroit Locker” type rear differential and limited slip front differential
- Drivable at full height
- Diesel engine on roll out tray
- Dual power deck extension
- Disc brake system on rear axle
- Independent/auto leveling outriggers
- 30% Gradeability
- Wiring for AC outlet on platform
- Tilt alarm with drive & lift cut-out
- All motion audible alarm
- Overload sensing system
- Lowering warning system
- Lanyard attachment points
- Tie down/lift lugs
- Operator horn
- Flashing light
- Fold down hinged railing system
- Half height spring hinged gates on both sides
- Relay based control system
- Colour coded and numbered wiring system
- Non-marking grip lug foam-filled tyres
- Telematics ready

ACCESSORIES AND OPTIONS

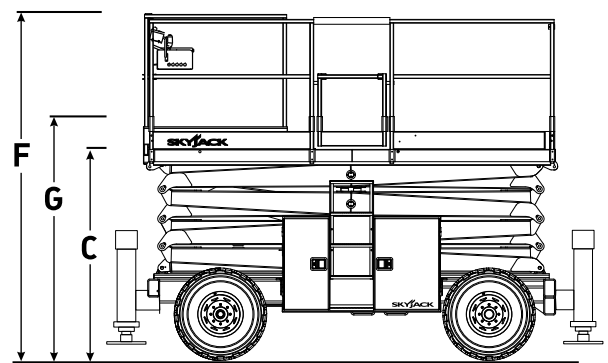
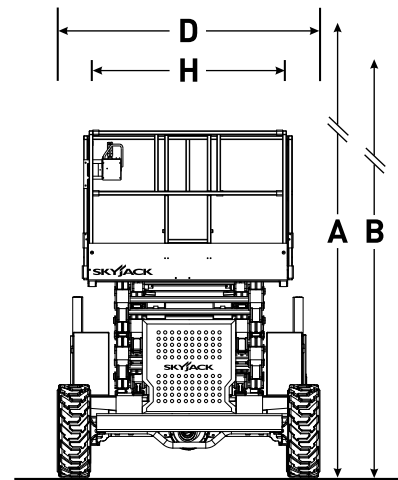
- Full height spring hinged gates
- Diesel scrubber
- RT heavy duty pipe rack
- Material handling stand
- Tool caddy
- Secondary Guarding Lift Enable (SGLE)
- ELEVATE telematics

† Standard lead times may be increased when optional equipment is added, consult factory.

‡ Capacities, and machine weights may differ when options are added.

SJ8841 RT ROUGH TERRAIN SCISSORS

Dimensions	SJ8841 RT
A Work Height	14.50 m
B Raised Platform Height	12.50 m
C Lowered Platform Height	1.75 m
D Overall Width	2.20 m
E Overall Length	3.53 m
F Stowed Height (Rails Up)	2.90 m
G Stowed Height (Rails Down)	2.22 m
H Platform Width (Inside Dimension)	1.70 m
I Platform Length Extended (Inside Dimension)	5.70 m
Specifications	SJ8841 RT
Ground Clearance	0.20 m
Wheelbase	2.27 m
Weight	6,173 kg
Gradeability	30%
Turning Radius (Inside)	4.01 m
Turning Radius (Outside)	6.30 m
Lift Time (With Rated Load)	71 sec
Drive Speed (Stowed)	4.5 km/h
Drive Speed (Raised)	0.4 km/h
Maximum Drive Height	Full Height
Capacity (Overall)	681 kg
Maximum # of Persons	5



Model	Capacity With 2 Extension Decks*		
	Main	Front Ext.	Rear Ext.
SJ8841 RT	227 kg	227 kg	227 kg

* With standard tyres

Skyjack Australia Pty Ltd
 Unit 1, 35 Honeycomb Drive
 Eastern Creek
 NSW 2766
 Australia
 Phone +61 (0) 2 9854 0700
 Fax +61 (0) 2 9854 0777
 Email: jcranmer@skyjack.com

www.skyjack.com

This brochure is for illustrative purpose only and based on the latest information at the time of printing. Skyjack Inc. reserves the right to make changes at any time, without notice, to specifications, standard and optional equipment. Consult the Operating Maintenance and Parts Manuals for proper procedures. AS marked platforms are in conformance to Standard AS/NZS 1418.10:2011.