

# S4732E

## ELECTRIC SLAB SCISSOR LIFTS



- Self-propelled electric scissor lifts
- Compact & robust
- Roll-out extension decks for extra reach
- Suitable for indoor and outdoor use
- Ideal for construction & maintenance applications

 **snorkel**  
[www.snorkellifts.com](http://www.snorkellifts.com)

# SLAB SCISSOR LIFTS

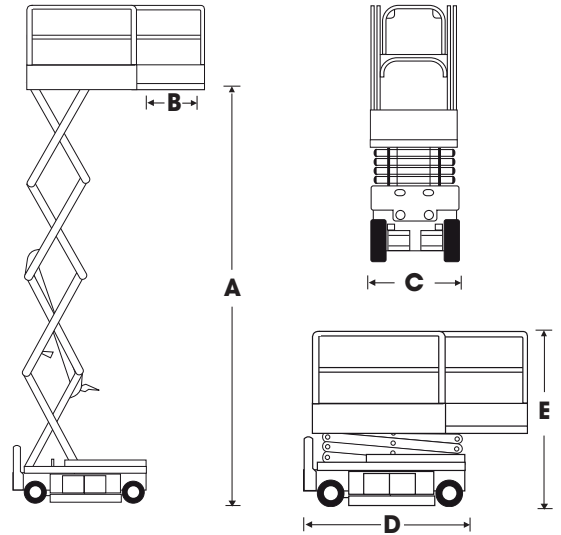
# 4732E

DIMENSIONS	S4732E
Max. working height	11.8m
Max. platform height (A)	9.8m
Platform size (stowed)	2.14m x 1.09m
Platform size (extended)	3.36m x 1.09m
Deck extension length (B)	1.21m
Overall length (D)	2.3m
Overall width (C)	1.2m
Stowed height (E)	2.39m
Min. height (guardrails folded)	1.95m
Ground clearance (stowed)	95 mm
Ground clearance (elevated)	19mm

PERFORMANCE	
Platform capacity	350kg
Max. drive height	9.8m
Max. drive speed (elevated)	3.2km/h
Max. drive speed (stowed)	0.6km/h
Gradeability	25%
Inside turning radius	0.53m
Outside turning radius	2.41m
Tires	0.38m x 0.13m non-marking rubber
Controls	proportional
Drive system	2 wheel drive

POWER	
Power source	
Charger	

WEIGHT	
Weight	2,425kg



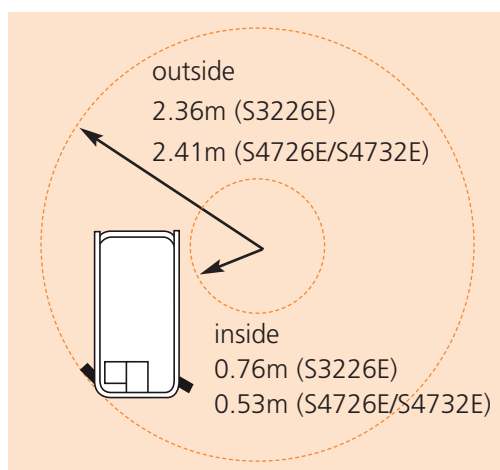
## STANDARD FEATURES

- Roll-out deck extension with locking handles
- Non-marking tyres
- Swing-out service trays
- Saloon door entry
- Key switch
- 2 persons + equipment capacity indoors
- 1 person + equipment capacity outdoors
- Proportional controls
- Power line to platform
- Hour meter & onboard diagnostics display
- Dual lanyard attachments points
- Flashing amber light
- CE approved

## OPTIONS

- Special paint colours
- Environmental (green) oil

## TURNING RADIUS



**snorkel** [www.snorkellifts.com](http://www.snorkellifts.com)

Vigo Centre, Birtley Road,  
Washington, Tyne & Wear,  
NE38 9DA, U.K.

t: +44 (0) 845 1550 057  
e: sales@snorkellifts.com