



# SJ9241/50 RT

## ROUGH TERRAIN SCISSORS

### STANDARD FEATURES

- Drivable at full height with powered decks fully extended (9241 only)
- Axle based 4WD
- “No Spin” rear differential and limited slip front differential
- Disc brake system on rear axle
- 29hp Kubota diesel engine on roll out tray
- Self centering scissor design
- Dual powered extension decks (1.53 m front and rear)
- Large 7.21 m total working platform length
- Independent/auto levelling outriggers
- Relay based control system
- Colour coded and numbered wiring system
- 30% gradeability
- Foam-filled grip lug tyres
- Wiring for AC outlet on platform
- Tilt alarm with drive & lift cut-out
- Overload sensing system
- Lowering warning system
- Flashing light
- Operator horn
- Fold down hinged railing system
- Half height spring hinged gates on both sides
- Scissor guards
- Lanyard attachment points
- Tie down/lift lugs

### ACCESSORIES AND OPTIONS

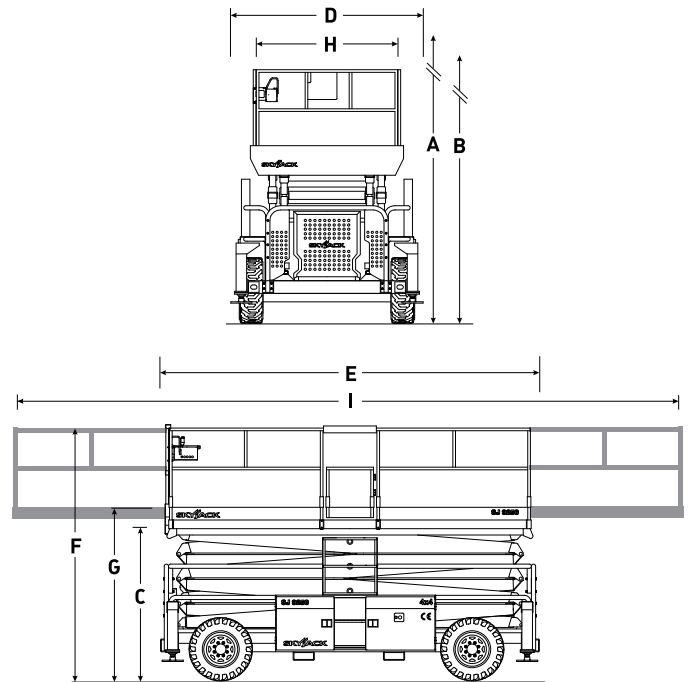
- Diesel engine with scrubber
- All motion audible alarm
- Airline to platform
- 3.5kW hydraulic generator
- Full height spring hinged gates
- Non-marking grip lug foam-filled tyres
- Shroud-style control box guard

\* Capacities, and machine weights may differ when options are added.

# SJ9241/50 RT ROUGH TERRAIN SCISSORS

Dimensions	SJ9241 RT	SJ9250 RT
<b>A</b> Work Height	14.50 m	17.24 m
<b>B</b> Raised Platform Height	12.50 m	15.24 m
<b>C</b> Lowered Platform Height	1.68 m	2.01 m
<b>D</b> Overall Width	2.34 m	2.34 m
<b>E</b> Overall Length	4.47 m	4.47 m
<b>F</b> Stowed Height (Rails Up)	2.84 m	3.16 m
<b>G</b> Stowed Height (Rails Down)	1.98 m	2.29 m
<b>H</b> Platform Width (Inside Dimension)	1.88 m	1.88 m
<b>I</b> Platform Length (Inside Dimension)	7.21 m	7.21 m

Specifications	SJ9241 RT	SJ9250 RT
Extension Deck	1.53 m x 2	1.53 m x 2
Ground Clearance	0.20 m	0.20 m
Wheelbase	3.02 m	3.02 m
Weight	6,715 kg	7,407 kg
Gradeability	30%	30%
Turning Radius (Inside)	5.33 m	5.33 m
Turning Radius (Outside)	7.65 m	7.65 m
Lift Time (With Rated Load)	62 sec	64 sec
Lower time (With Rated Load)	72 sec	72 sec
Drive Speed (Stowed)	3.8 km/h	3.8 km/h
Drive Speed (Raised)	0.72 km/h	0.72 km/h
Maximum Drive Height	Full Height	9.14 m
Capacity (Overall)	681 kg	681 kg
Local Floor Load (With Rated Load)	1495 kPa	1576 kPa
Overall Floor Load (With Rated Load)	9 kPa	10 kPa
Maximum # of Persons (indoor/outdoor)	5/5	5/5
Tyre Type	Foam Filled	Foam Filled
Tyre Size	10 x 16.5	10 x 16.5



Model	Capacity		
	Main	Front Ext.	Rear Ext.
SJ9241 RT	227 kg	227 kg	227 kg
SJ9250 RT	227 kg	227 kg	227 kg

**Skyjack UK**  
 Unit 1, Maes-y-Clawdd  
 Maesbury Road Industrial Estate  
 Oswestry, Shropshire, SY10 8NN  
 Tel: +44 1691 676235  
 Fax: +44 1691 676239  
 Email: info@skyjackeurope.co.uk

**Skyjack SAS (France)**  
 ZI Le Clairin  
 69700 Saint Romain en Gier  
 France  
 Tel: +33 (0) 4 78 73 53 32  
 Tel: +33 (0) 4 78 73 05 68  
 Fax: +33 (0) 4 78 56 52 42

**Skyjack Hebebühnen GmbH (Germany)**  
 Därmannsbusch 2a  
 D-58456 Witten  
 Tel: +49 (0) 2302 20 26 909  
 Fax: +49 (0) 2302 20 25 671

**Skyjack AB (Sweden)**  
 Agnesbergsvägen 28  
 424 38 Agnesberg  
 Sweden  
 Tel: +46 (0) 31 21 22 45  
 Fax: +46 (0) 31 787 65 10

[www.skyjack.com](http://www.skyjack.com)